



# Augusta/Augusta S

## With Quick Chip & M/Chip Fast

*Secure EMV Chip Card and Magnetic Stripe Reader*

### Virtual Terminals Can Now Support EMV

By using the Augusta with Quick Chip, it allows merchants interacting with legacy keyboard emulation MSR readers and web-based virtual terminals to be able to integrate with an EMV reader. By implementing Quick Chip into the Augusta and Augusta S (SRED certified), ID TECH has created a patent pending method for supporting these legacy systems via keyboard emulation of EMV data. Augusta with Quick Chip using keyboard emulation provides a plug and play solution as no additional drivers are required for support on existing application or applications being run on virtual terminals.

### Faster Customer EMV Interaction

Augusta with Quick Chip addresses the major complaint of EMV integration, that being the increased duration of the transaction time. When performing a Quick Chip transaction with Augusta, the overall customer wait time drops from about 8 seconds to 2 seconds. This faster transaction time allow for quicker customer throughput along with a less likelihood of a card being left behind by the customer.

### Familiar Form Factor and Functionality

The Augusta is a secure EMV chip and magnetic stripe reader that offers retailers a simple upgrade path to EMV from traditional desktop magnetic stripe readers. This reader is able to provide superior reading performance while also encrypting sensitive magnetic stripe and EMV data. With all data encrypted, the Augusta can participate in end-to-end solutions reducing the risk of data compromises.

### Easy to Integrate and Use

The Augusta is very user friendly and reliable. It is available in USB-HID or USB-KB configuration and uses common HID drivers. Beeper, LEDs and bidirectional communication make interacting with the unit very intuitive. The location of the mounting holes makes it easy to mount to any previous MiniMag II or SecuRED mounting bracket. The Augusta is designed with a metal wear plate to be able to support 1,000,000 magnetic stripe operations and a robust chip card connector to surpass 500,000 EMV transactions.



**Features and Benefits:**

- Available in USB-HID & USB-KB
- EMV Level 1 and Level 2 certified
- Quick Chip & M/Fast Chip Support
- ID TECH Common EMV Level 2 kernel
- No additional drivers required
- Provides encrypted MSR or EMV data
- USB Powered
- Reads encoded data that meets ANSI, ISO, and AAMVA standards
- Reads up to three tracks of information
- Support TDES and AES encryption
- DUKPT key management
- Mounting compatibility with MiniMag II and SecuRED
- PCI 4.1 SRED (Augusta S)

# Augusta/Augusta S With Quick Chip & M/Chip Fast

## Specifications IDEM-XXXXX

### General

Interfaces: MSR: USB-HID, USB-KB  
EMV: USB-HID

### Electrical

Power Requirements: 5V USB powered

### Environmental

Operating Temperature: 0°C to 55°C (32°F to 131°F)  
Storage Temperature: -25°C to 65°C (-13°F to 150°F)  
Humidity: Max 95% non-condensing

### Reliability

Operating Life: MSR: 1,000,000 passes  
EMV: 500,000 inserts

### Mechanical

Dimension (H)x(L)x(W): 1.77 inches (45 mm) X 5 inches (127 mm) X 1.42 inches (36 mm)

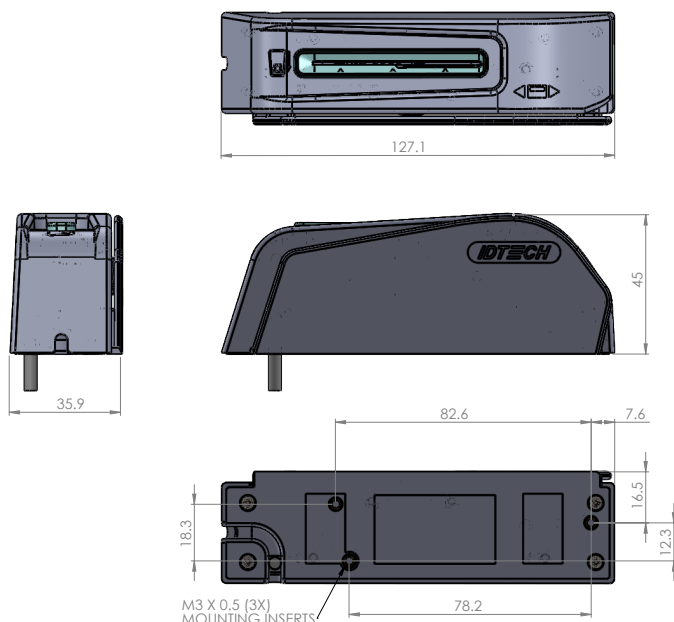
Media Thickness: MSR: .015 inches (.0381 mm) to 0.038 inches ( 0.9852 mm)  
EMV: 0.0354 inches (0.9 mm)

Media Format: MSR: ISO 7811, AAMVA  
EMV: ISO 7816

Swipe Speed: 3 to 60 inches per second, bidirectional

Weight: w/o base 178g  
w/ base 291g

Footprint:



### United States Sales Office

#### Corporate Headquarters

10721 Walker Street  
Cypress, CA 90630  
Phone: (714) 761-6368  
Toll Free: (800) 984-1010  
Fax: (714) 761-8880  
sales@idtechproducts.com

### International Sales Offices

#### Asia

+866-3-326-5988 (Taiwan)  
asia@idtechproducts.com.tw

#### Canada

416-519-8529  
martinm@idtechproducts.com

#### South America

+55-11-3079-2255  
internationalsales@idtechproducts.com

#### Europe, Middle East & Africa

+011-55 11-3079-2255  
emea@idtechproducts.com

**ISO 9001 Certified**  
**ISO 14001 Certified**

**IDTECH**   
Value through Innovation  
[www.idtechproducts.com](http://www.idtechproducts.com)